

# ODRJ6A Series

## CAT.6A RJ45 Solid Plug

### Overview

Optic Digital RJ45 plug for shielded and unshielded 23AWG solid wire are suitable for CAT.6A cable sizes, to keep the integrity of the twisted pairs and aids in loading in plug.

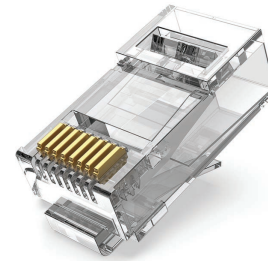
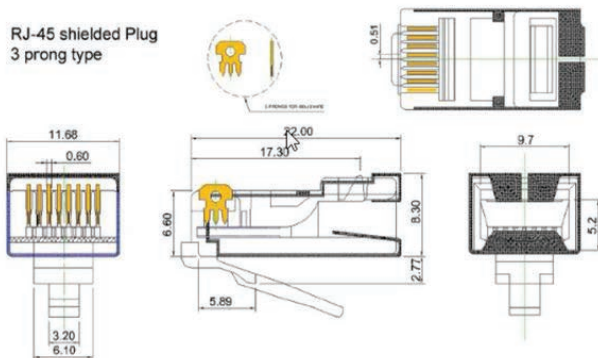
### Electrical Characteristics

- **Dielectric withstanding voltage:** 1000 VAC (RMS)
- **Contact resistance:** 10 milliohms max
- **Current rating:** 30 VAC at 1.5 AMPS
- **Insulation resistance:** 500 megohms min

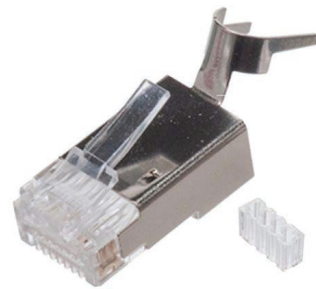
### Mechanical Characteristics

- **Housing:** Polycarbonate
- **Contact material:** Phosphor bronze alloy
- **Contact plating:** 50 micro-inch gold plating over nickel plating cable-to-plug tensile round and flat cable available
- **Strength:** 20lbs min between the cable and plug
- **Durability:** 750 cycles minimum
- **Operating temperature:** -20°C to +75°C

### Dimensions



ODRJ4566A Unshielded



ODRJ4566AS Shielded

### Applications

- 10 Base-T (IEEE 802.3)
- Fast Ethernet (IEEE 802.3u)
- 100Vg-AnyLAN (IEEE 802-12)
- Token Ring (IEEE 802.5)
- TP-PMD (ANSI X 3T9.5)
- 100 Mbps CDDI
- ATM 155
- Gigabit 1000 Mbps (802.3z)

### Standards

- ISO/IEC11801 2nd edition
- ANSI/TIA/EIA Cabling Standard 568-C.2
- CENELEC EN 50173
- RoHS-6 Compliant

### Ordering Information

ODRJ4566A	CAT.6A RJ-45 plug for unshielded solid wire 23-26AWG
ODRJ4566AS	CAT.6A RJ-45 plug for shielded solid wire 23-24AWG